



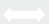












**/ Retroescavatore Fisso - ATTREZZI TERMINALI**





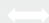



**/ Fixed backhoe - IMPLEMENTS**

**/ Retroexcavadora fija - IMPLEMENTOS**

**/ Pelle-Rétro à châssis fixe- OUTILS**

SERIE 1							
 Width	20 cm. 8 in.	25 cm. 10 in.	30 cm. 12 in.	40 cm. 16 in.	-	60 cm. 24 in.	-
 Capacity SAE	12l	15l	20l	30l	30l	39l	-
 Weight	19 Kg. 39 Lbs.	21 Kg. 46 Lbs.	23 Kg. 51 Lbs.	29 Kg. 64 Lbs.	42 Kg. 93 Lbs.	29 Kg. 64 Lbs.	45 Kg. 100 Lbs.
 Code	18053132	18052601	18052602	18052603	18052623	18052643	18052625

SERIE 2								
 Width	25 cm. 10 in.	30 cm. 12 in.	40 cm. 16 in.	50 cm. 20 in.	60 cm. 24 in.	-	100 cm. 39 in.	-
 Capacity SAE	20l	25l	36l	47l	58l	38l	81l	-
 Weight	23 Kg. 51 Lbs.	30 Kg. 66 Lbs.	35 Kg. 77 Lbs.	42 Kg. 93 Lbs.	47 Kg. 104 Lbs.	42 Kg. 93 Lbs.	56 Kg. 124 Lbs.	45 Kg. 100 Lbs.
 Code	18052606	18052607	18052608	18052609	18052610	18052623	18052624	18052625

SERIE 3										
 Width	25 cm. 10 in.	30 cm. 12 in.	40 cm. 16 in.	50 cm. 20 in.	60 cm. 24 in.	70 cm. 28 in.	-	100 cm. 39 in.	-	
 Capacity SAE	34l	34l	49l	64l	79l	95l	49l	103l	-	
 Weight	36 Kg. 80 Lbs.	39 Kg. 86 Lbs.	45 Kg. 99 Lbs.	52 Kg. 115 Lbs.	59 Kg. 130 Lbs.	66 Kg. 145 Lbs.	46 Kg. 101 Lbs.	62 Kg. 137 Lbs.	75 Kg. 165 Lbs.	
 Code	18052611	18052612	18052613	18052614	18052615	18052616	18052647	18052671	18052631	